

Yale*systems*

Wall-mounted Jib cranes
Floor-mounted Jib cranes
Gantry cranes



Catalogue 13

**Yale Industrial
Products GmbH**

Wall-mounted Jib cranes Floor-mounted Jib cranes Gantry cranes

With the professional Yalesystems cranes, we offer you in combination with our Hoisting equipment and Tigrip clamps and grabs a complete solution for your lifting and transportation problems.

Yalesystems cranes are manufactured in accordance with the machinery directive 89/392/EEC and the latest DIN 15018 H2 B2.

All machine parts are shot blasted to SA 3, then primed and coated with RAL 1023 (yellow) paint, D.F.T. approx. 60 micron. Other colours on request.

Various mounting possibilities for Wall and Floor-mounted cranes, as well as an extensive collection of accessories that facilitate mounting in virtually every mounting situation in halls, sheds and outdoors.

Additional protection for use out doors:

- Increased paint thickness (120 micron D.F.T) or galvanised.
- Boom locking device. (wind protection)
- Weather protection for the hoisting equipment.



Page 4

Wall-mounted Jib crane PMS

- Elevated boom with optimal height.
- Slewing range 180°



Page 6

Floor-mounted Jib crane PFM

- Elevated boom with optimal height.
- Slewing range 360°



Page 7

Floor-mounted Jib crane PFP

- Elevated boom with optimal height.
- Slewing range 360°



Page 5

Floor-mounted Jib crane PFSP

- Elevated boom with optimal height.
- Slewing range 270°



Page 8

Gantry cranes TDL, TDT, TDR

- Can be disassembled in to 3 sections
- Transportable

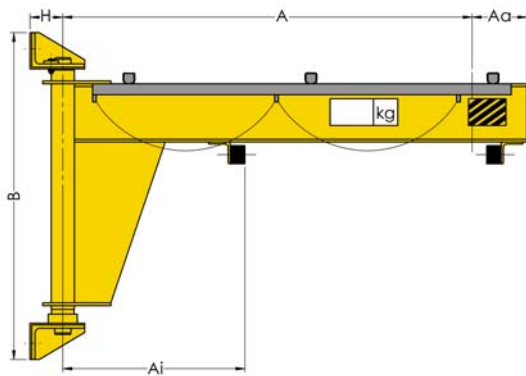
Contents

	Page
Wall-mounted Jib cranes	4
Floor-mounted Jib crane PFSP	5
Floor-mounted Jib crane PFM	6
Floor-mounted Jib crane PFP	7
Gantry cranes TDL, TDT, TDR	8
Miscellaneous	
Yale hoisting equipment	9
Enquiry support	10
Product range	11



Page 10

Yale hoists



Standard delivery programme

Weight capacity	Boom (A)									
kg	2000	2500	3000	3500	4000	4500	5000	5500	6000	
125										
250										
500										
1000										
1600										
2000										

Other weight capacities on request.

Yalesystems cranes are manufactured in accordance with the machinery directive 89/392/EEC and the latest DIN 15018 H2 B2.

Wall-mounted Jib crane PMS

Lightweight, twist-free steel girder construction with low headroom.

The boom is fitted with a bearing and a wall bracket for anchoring the crane to a concrete wall.

Scope of delivery:

The electrical system is equipped with a lockable mains switch, round-cable power supply with cable support pipes for booms up to 4000 mm, from 4500 mm upwards, the boom is equipped with a trailing cable power supply. Due to cable sag on low cranes, we recommend the use of festooned cables even on short booms.

Cranes are supplied with an operating manual and complete documentation, certified pre- and installation inspection certificates.

Mounting systems:

- Wall mounting, using threaded rods that go through the wall and that are bolted to the wall with counter plates and nuts.
- Pillar embracing with anchor bolts and wall bracket. Bracket plate max. 500 mm, anchor bolts (threaded rods) max. 1000 mm
- Alternative mounting systems upon request. Mounting supports and walls are the responsibility of the client.

Accessories:

- Slew stoppers (buffers) can be fitted in-situ for a pre-determined fixed slewing range.
- Slewing brake, to control the boom speed during slewing. Recommended for a boom length of > 5 m or a head room of > 4 m. This prevents uncontrolled movement of the boom.
- Locking device, to lock the boom in a fixed position.

Mounting a Jib crane to a wall, in combination with a festooned cable system, may lead to restrictions in the slewing range of the boom. This being the case, slew stoppers (buffers) should be fitted accordingly.

Floor-mounted Jib crane PFSP

Lightweight, twist-free steel girder construction with low headroom.

The boom is fitted with a bearing, pillar made from reinforced steel pipe.



Scope of delivery:

Crane consisting of a pillar support and boom. The electrical system is equipped with a lockable mains switch; round-cable power supply with cable support pipes for booms up to 4000 mm, from 4500 mm upwards, the boom is equipped with a trailing cable power supply. Due to cable sag on low cranes, we recommend the use of festooned cables even on short booms.

Cranes are supplied with an operating manual and complete documentation, certified pre- and installation inspection certificates.

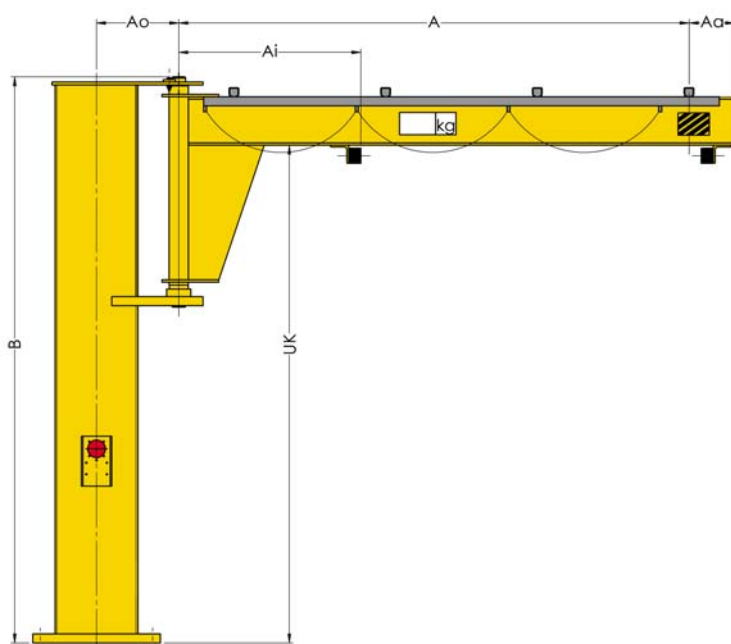
Mounting systems:

- Base flange with anchor bolts and template.
- Anchoring the base plate (welded) including mortar cartridges, anchor studs (complete with nuts, locknuts and washers)
- Anchoring the dowel base plate (bolted) including mortar cartridges, anchor studs (complete with nuts, locknuts and washers)
- Mobile unit for changeable location.

Accessories:

- Slew stoppers (buffers) can be fitted in-situ for a pre-determined fixed slewing range.
- Slewing brake, to control the boom speed during slewing. Recommended for a boom length of > 5 m or a head room of > 4 m. This prevents uncontrolled movement of the boom.
- Locking device, to lock the boom in a fixed position.

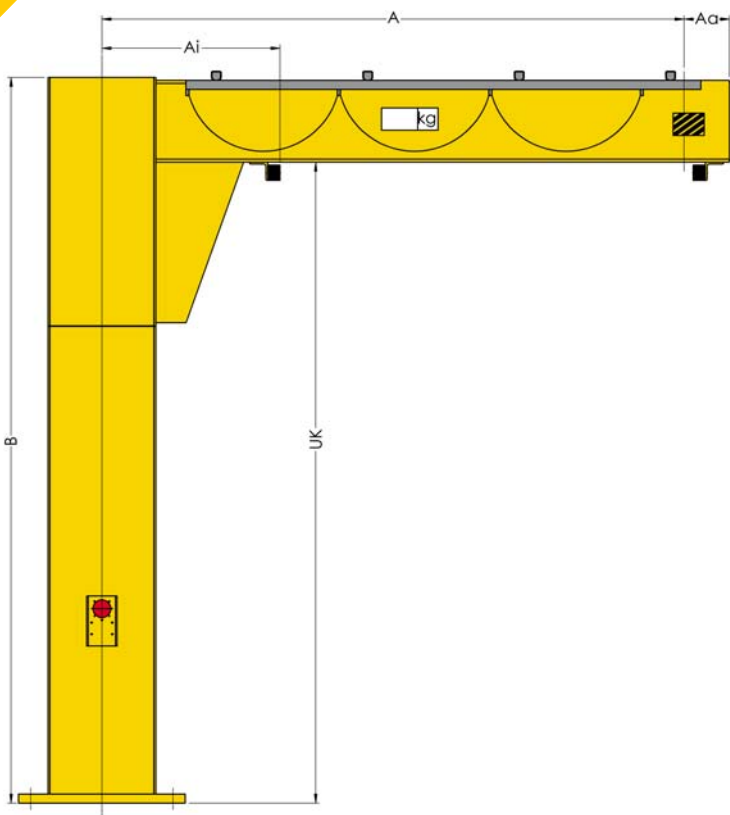
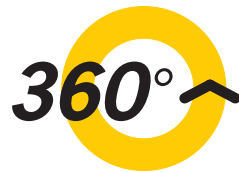
Depending on the size of the hoist and in combination with festooned power cables, restrictions in the slewing range of the boom may be possible. This being the case, slew stoppers (buffers) should be fitted accordingly.



Standard delivery programme

Weight capacity	Boom (A)									
	2000	2500	3000	3500	4000	4500	5000	5500	6000	
125										
250										
500										
1000										
1600										
2000										

Other weight capacities on request.



Standard delivery programme

Weight capacity	Boom (A)									
kg	2000	2500	3000	3500	4000	4500	5000	5500	6000	
125										
250										
500										
1000										
1600										
2000										

Other weight capacities on request.

Floor-mounted Jib crane PFM

Lightweight, twist-free steel girder construction with low headroom. Compact rotating head for ideal construction dimensions; access from above ensures easy assembly.

The boom is fitted with a roller bearing, pillar made from reinforced Steel pipe.

Scope of delivery:

Crane consisting of a pillar support and boom. The electrical system is equipped with a lockable mains switch, round-cable power supply with cable support pipes for booms up to 4000 mm, from 4500 mm upwards, the boom is equipped with a festooned cable power supply. Due to cable sag on low cranes, we recommend the use of festooned cables even on short booms.

Cranes are supplied with an operating manual and complete documentation, certified pre- and installation inspection certificates.

Mounting systems:

- Base flange with anchor bolts and template.
- Anchoring the base plate (welded) including mortar cartridges, anchor studs (complete with nuts, locknuts and washers).
- Anchoring the dowel base plate (bolted) including mortar cartridges, anchor studs (complete with nuts, locknuts and washers)
- Mobile unit for changeable location.

Accessories:

- Slew stoppers (buffers) can be fitted in-situ for a pre-determined fixed slewing range.
- Slewing brake, to control the boom speed during slewing. Recommended for a boom length of > 5 m or a head room of > 4 m. This prevents uncontrolled movement of the boom.
- Locking device, to lock the boom in a fixed position.

Depending on the size of the hoist and in combination with festooned power cables, restrictions in the slewing range of the boom may be possible. This being the case, slew stoppers (buffers) should be fitted accordingly.

Floor-mounted Jib crane PFP

Heavy, robust twist-free steel girder construction. Structural steel crane-boom. Compact rotating head for ideal construction dimensions; access from above ensures easy assembly. The boom is fitted with a roller bearing, pillar made from reinforced steel pipe.

Scope of delivery:

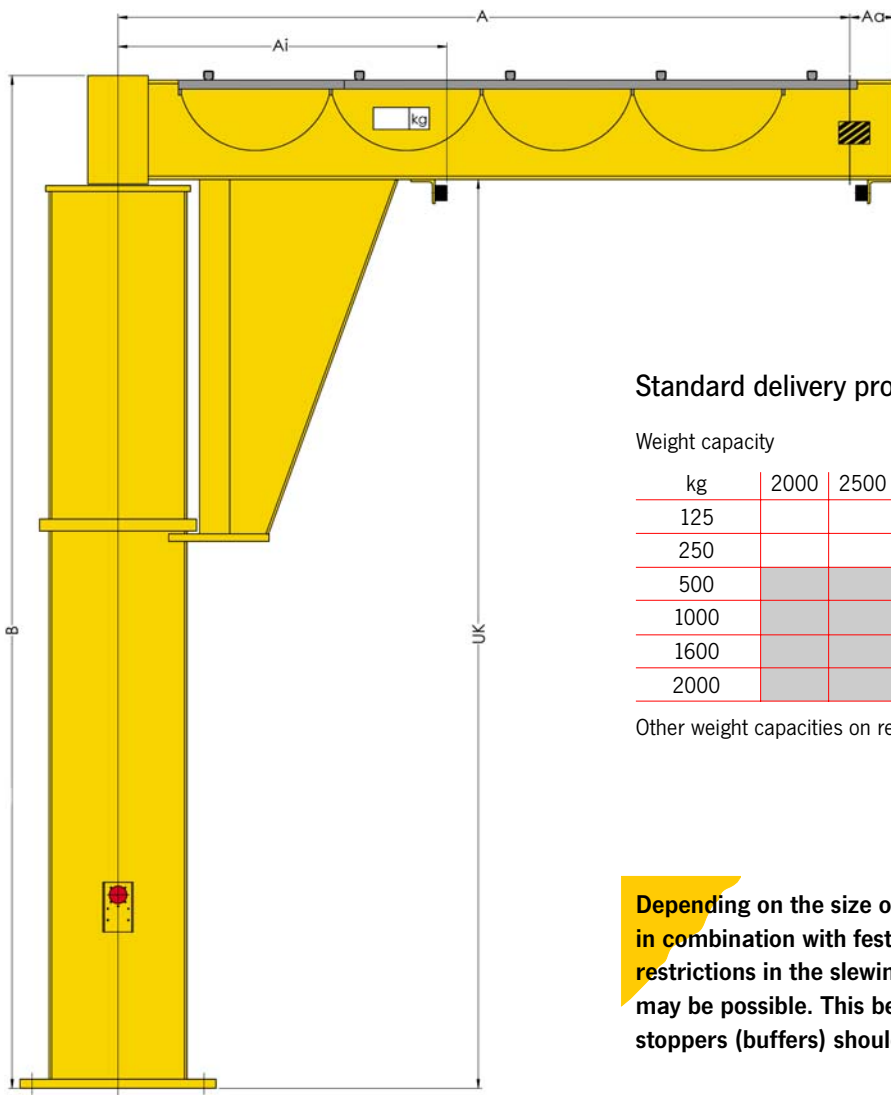
Crane consisting of a pillar support and boom. The electrical system is equipped with a lockable mains switch, round-cable power supply with cable support pipes for booms up to 4000 mm, from 4500 mm upwards, the boom is equipped with a festooned cable power supply. Due to cable sag on low cranes, we recommend the use of festooned cables even on short booms. Cranes are supplied with an operating manual and complete documentation, certified pre- and installation inspection certificates.

Mounting systems:

- Base flange with anchor bolts and template.
- Anchoring the base plate (welded) including mortar cartridges, anchor studs (complete with nuts, locknuts and washers).
- Anchoring the dowel base plate (bolted) including mortar cartridges, anchor studs (complete with nuts, locknuts and washers)

Accessories:

- Electrically driven slewing gear.
- Slew stoppers (buffers) can be fitted in-situ for a pre-determined fixed slewing range.
- Limit switches to limit the boom slewing range. (before hitting a fixed object the motor switches off automatically)
- Locking device, to lock the boom in a fixed position.



Standard delivery programme

Weight capacity	Boom (A)									
kg	2000	2500	3000	3500	4000	4500	5000	5500	6000	
125										
250										
500										
1000										
1600										
2000										

Other weight capacities on request.

Depending on the size of the hoist and in combination with festooned power cables, restrictions in the slewing range of the boom may be possible. This being the case, slew stoppers (buffers) should be fitted accordingly.

TDL/TDT/TDR



Moveable Gantry crane TDL/TDT/TDR

Yalesystems Gantry crane for use in all areas, from craftsman's workshops, garages and industrial use. They are suitable for low to medium weight capacities and are also for outdoor use.

Yalesystems cranes are classified according to DIN 15018 H2 B3. The cranes are moved by hand or are power assisted and are not dependant on a rail system.

The guidelines for moving Yalesystems Gantry cranes and transporting loads should be strictly followed.

Scope of delivery:

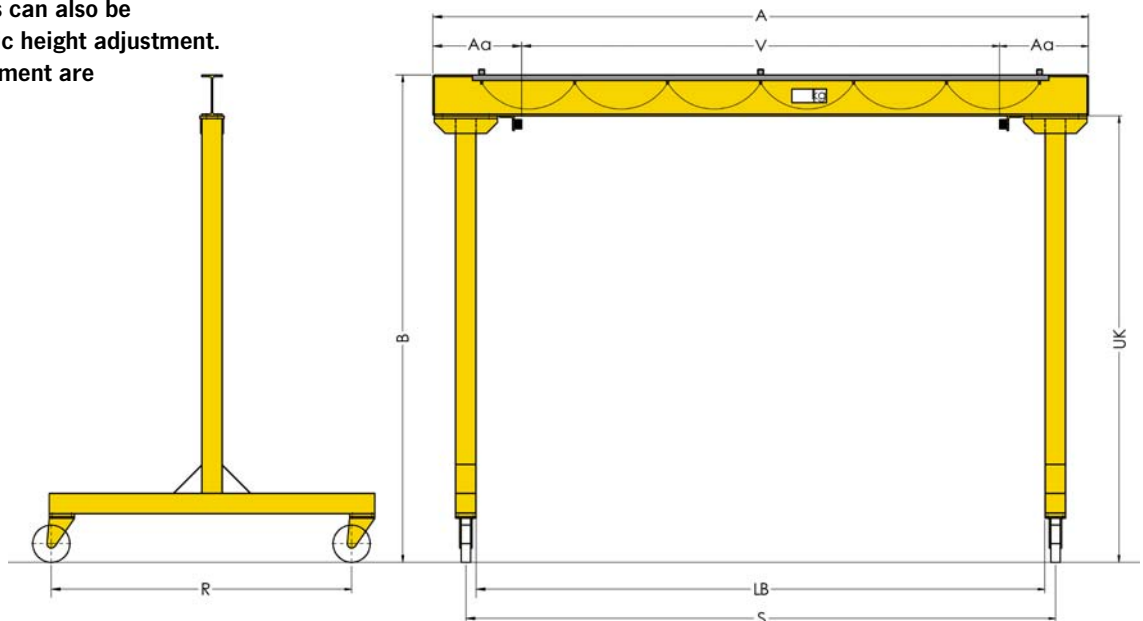
- 3 part construction (2 supports, 1 load carrier beam).
- Coated with RAL 1023 (yellow) paint.
- Robust square tubular steel supports.
- Movable by hand.
- Lockable wheels via threaded spindle.
- For outdoor use.
- Power supply to the beam with flat cables: C type mounting rail, cable trolley, support arms and towing trolleys.
- Mains connecting switch with machine plug socket (clockwise phase sequence).
- Cranes are supplied with an operating manual and complete documentation, certified pre- and installation inspection certificates.
- Apart from our standard equipment we also offer a full range of accessories and special solutions for your lifting problems (e.g. cranes with grabs, clamps or magnet lifts).

Standard delivery programme

Weight capacity kg	Gantry width (A)									
	2000	2500	3000	3500	4000	4500	5000	5500	6000	
125										
250										
500										
1000										
1600										
2000										

Other weight capacities and widths on request.

Movable gantry cranes can also be supplied with telescopic height adjustment. Side and height adjustment are also available.



Yale hoists, as an additional system component

We offer you with Yalesystems cranes, in combination with our hoists and lifting equipment, a complete solution for you lifting and transportation problems.

Electric chain hoist Model CPS with top hook suspension Capacity 125 - 500 kg

The compact design makes it ideal for numerous applications in the construction industry, utility companies and many industrial areas for moving small to medium loads.



Electric chain hoist Model CPE with integral trolley Capacity 1.600 - 10.000 kg

The CPE series is a range of high quality products for professional applications. They are highly efficient and engineered for a long working life. The hoists are composed of three main component parts which make service easy and inexpensive



Electric chain hoist Model CPM with integral trolley Capacity 125 - 2.000 kg

The model CPM is a robust, reliable and easy to service unit with a long service life. The whole range is fitted with many standard features that were usually only available as extras.



Close headroom trolley hoist

VSTP with push type trolley Capacity 500 - 5.000 kg

VSTG with geared type trolley Capacity 500 - 10.000 kg

The close head trolley hoist model VS is rigidly connected to a manual trolley by means of a cross bar.



For further information about our range of hoists and trolleys please refer to our catalogue "Yale Hoisting Equipment"

Questionnaire

- Wall-mounted Jib crane
 Floor-mounted Jib crane
 For outdoor use ?

- Gantry crane
 For outdoor use ?

Weight capacity _____ kg
 Slewing range _____
 Boom length A _____ mm
 Boom clearance UK _____ mm
 or ceiling clearance H _____ mm
 or overall height B _____ mm
 or highest hook position _____ mm

Weight capacity _____ kg
 Gantry width (inside) a _____ mm
 Gantry width (outside) A _____ mm
 Beam clearance UK _____ mm
 or ceiling clearance H _____ mm
 or overall height B _____ mm
 or highest hook position _____ mm

Accessories:

- Increased paint thickness
 Galvanized
 Boom locks
 Slewing range stoppers
 Electrically driven slewing gear
 Slewing brake

Accessories:

- Increased paint thickness
 Galvanized
 Height adjustment
 Height and width adjustment

Power supply

- Round cable
 Festooned cable
 Suspended control

Power supply

- Round cable
 Festooned cable
 Suspended control

Mounting for wall-mounted Jib crane

- Threaded rods/anchor bolts
 Pillar embracing
 Miscellaneous

Wheels

- No wheels
 Wheels*
 Rail track system
 Park brake*

Mounting for floor-mounted Jib crane

- Anchor and template
 Miscellaneous
 Standard base plate (welded) incl. anchor/rawplug
 Dowel base plate (bolted) incl. anchor/rawplug

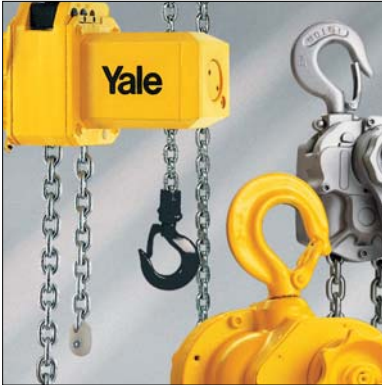
* Standard, 4 wheels with synthetic rubber tyres, 2 of which are lockable

Hoists

- Manual hoists
 Electric chain hoist (2 speeds)
 Electric chain hoist (single speed)

Trolleys

- Push trolley
 Geared trolley
 Electric trolley (Single speed)
 Electric trolley (2 speeds)



Yale® Hoists

- Ratchet lever hoists
- Hand chain hoists
- Electric and pneumatic chain hoists
- Travel trolleys and beam clamps
- Cable pullers and accessories
- Electric and pneumatic winches



TIGRIP® Load hoisting tackle and crane weighers

- Clamps
- Grabs
- Spreader beans
- Crane forks
- Crane weighers



Yaletex Textile lifting slings and lashing equipment

- Round slings
- Flat webbing slings
- Ratchet lashings



Yale Hydraulic jacks and tools

- Hydraulic cylinders 5-1.100 t
- Hand and motor pumps up to 700 bar
- Universal and machine jacks
- Hydraulic puller sets
- Workshop presses up to 200 t
- Accessories and complete hydraulic systems



DIN EN ISO 9001 issue August 1994
Certified since November 1991

Your local distributor: